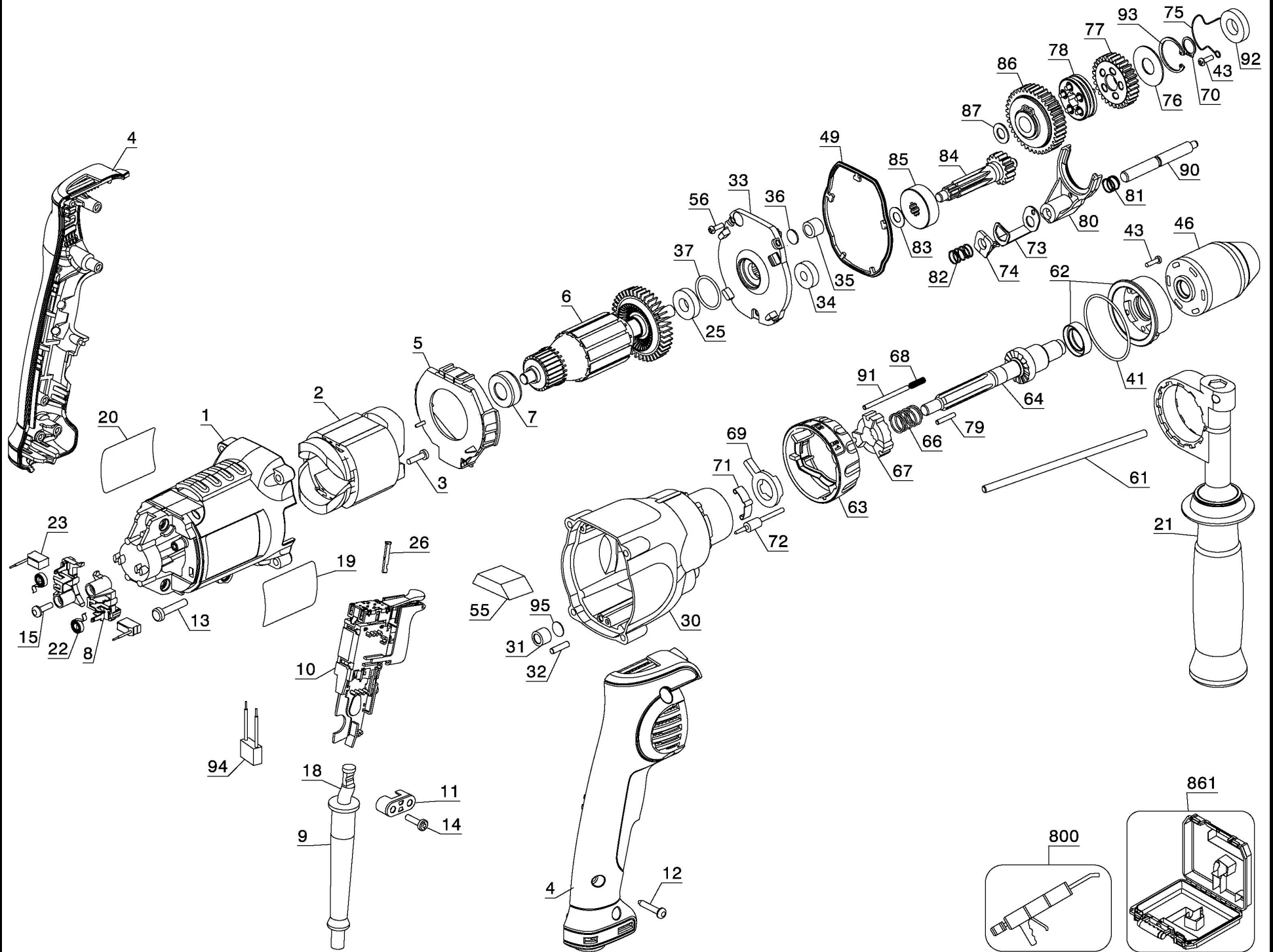


# DWD522KS 850W DRILL 1



## Parts List DWD522KS 850W DRILL 1

Item	Part Number	Qty	Part Description	General Description	Other Info	Repair Inst	Markets
1	639593-01	1	FIELD CASE			No	QS
2	N048000SV	1	FIELD 230V			No	QS
3	N068183	2	SCREW			No	QS
4	662703-01	1	CLAMSHELL SET			No	QS
5	641824-00	1	BAFFLE FAN			No	QS
6	647864-03SV	1	ARMATURE 230V			No	QS
7	391032-00	1	BEARING & SEAL			No	QS
8	N028784SV	2	BRUSH HOLDER		INCL. 22	No	QS
9	N918736	1	CORD PROTECTOR			No	QS
10	N113355SV	1	SWITCH SA			No	QS
11	655058-00	1	CORD CLAMP			No	QS
12	330065-31	4	PLASTIC SCREW			No	QS
13	330045-15	4	SCREW			Yes	QS
14	330065-07	1	SCREW			Yes	QS
15	176951-00	2	SCREW			Yes	QS
18	330120-92	1	CORDSET (EURO)			No	QS
19	N097976	1	RATING PLATE			No	QS
20	395047-00	1	BRAND LABEL			No	QS
21	663029-00	1	HANDLE SIDE SA			No	QS
22	662999-00	2	SPRING			No	QS
23	N198493	2	BRUSH			No	QS
25	N339299	1	BEARING			No	QS
30	N913585	1	GEARCASE SA		INCL	No	QS
31	330004-01	1	BEARING NEEDLE			Yes	QS
32	330041-07	1	PIN			No	QS
33	645400-04SV	1	GEARCASE COVER		Incl.34,35,36	No	QS
34	605040-02	1	BEARING			No	QS
35	330004-02	1	BEARING NEEDLE			No	QS
36	652185-00	1	THRUST PLATE			No	QS
37	099014-04	1	O RING			No	QS
41	056122-00	1	O RING			No	QS
43	330045-74	4	SCREW			Yes	QS

## Parts List DWD522KS 850W DRILL 1

Item	Part Number	Qty	Part Description	General Description	Other Info	Repair Inst	Markets
46	586200-12	1	CHUCK KEYLESS			No	QS
49	648761-00	1	SEAL			No	QS
55	N063107	1	FELT		DATE	No	QS
56	098102-13	3	SCREW		CODE	No	QS
61	940357-00	1	DEPTH STOP		2010-24+	No	QS
62	N030304	1	END CAP			No	QS
63	655856-00	1	COLLAR			No	QS
64	656368-02SV	1	SPINDLE			No	QS
66	651266-00	1	SPRING			No	QS
67	651262-00	1	RATCHET			No	QS
68	656287-00	3	SPRING			No	QS
69	659192-00	1	ARM			No	QS
70	652188-00	1	CIRCLIP			No	QS
71	395460-00	1	SPRING GUIDE			No	QS
72	648298-00	1	PIN			No	QS
73	651331-00	1	BRACKET			No	QS
74	656286-00	1	FINGER			No	QS
75	652003-00	1	SPRING			No	QS
76	652004-00	1	WASHER THRUST			No	QS
77	653728-00	1	GEAR			No	QS
78	643924-00SV	1	SELECTOR			No	QS
79	651330-00	1	ROLLER			No	QS
80	N045436	1	YOKE			No	QS
81	N031370	1	SPRING			No	QS
82	N022914	1	SPRING			No	QS
83	659185-00	2	WASHER THRUST			No	QS
84	N045500SV	1	INTER SHAFT			No	QS
85	643896-00	1	GEAR			No	QS
86	653814-00SV	1	CLUTCH SA			No	QS
87	652007-00	1	WASHER THRUST			No	QS
90	651334-00	1	PIN			No	QS
91	656321-00	3	PIN			No	QS

## Parts List DWD522KS 850W DRILL 1

Item	Part Number	Qty	Part Description	General Description	Other Info	Repair Inst	Markets
92	605040-72	1	BEARING			No	QS
93	658952-00	1	CIRCLIP			No	QS
94	N075085	1	CAPACITOR			No	QS
95	N045430	1	WASHER THRUST			No	QS
800	286436-00	1	GREASE	NYE RHEOLUBE 380, 50		No	QS
800	429698-00	1	GREASE	BD-L 2		No	QS
861	N079829	1	KITBOX			No	QS